

*[product overview]*

eicon  
technology  
corporation

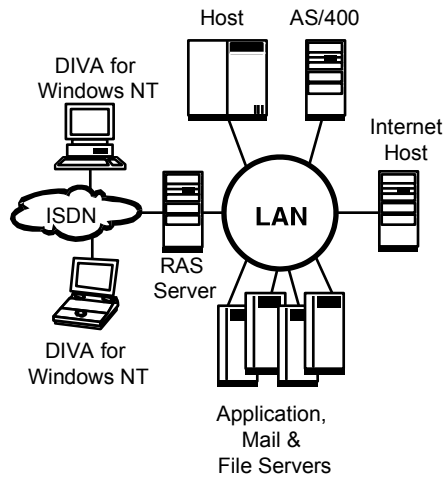
---

## ***DIVA for Windows NT***

Eicon Technology's DIVA for Windows NT offers high-speed ISDN communications for notebook computers and stand-alone PCs.

DIVA for Windows NT is an intelligent hardware and software solution designed for the Microsoft Windows NT desktop. By tightly integrating the application environment with ISDN communications, DIVA for Windows NT transparently extends the desktop and its applications across the networked enterprise.

DIVA for Windows NT gives users the independence to access information residing on remote LAN servers, corporate hosts, and on-line information services, regardless of location.



## ■ ***Product Highlights***

- Ideal for RAS access over ISDN
- Easy installation and configuration
- FAX Capability
- Rate Adaptation
- Available with the DIVA, DIVA Pro, and DIVA PCM
- 

*Flexible & Reliable ISDN Communications  
for Notebooks and Stand-alone PCs*

## *What's in it for SOHO users?*

SOHO users need fast and efficient dial-up connections to corporate networks and on-line information services to remotely gain access to information they would normally have access to if they were at the office.

DIVA for Windows NT provides high-speed and reliable ISDN access for the remote user to corporate LANs and the Internet.

<b><i>Feature</i></b>	<b><i>Benefit</i></b>
Ideal for RAS access over ISDN	DIVA for Windows NT provides an efficient solution to extending RAS access over ISDN, allowing remote users to connect at speeds up to 5 times faster than conventional modems
Easy installation and configuration	With the GUI-based installation, users are up and running in very little time.
Fax Capability	Makes sending and receiving faxes over ISDN as fast and simple as a click of a mouse. Supports additional third-party software which uses CAPI 2.0
Rate Adaptation	Allows access to on-line services (CompuServe) and supports V.110
Bundles	DIVA for Windows NT is available with the following DIVA cards to meet various user needs: DIVA, DIVA Pro 1.0, and DIVA PCM

---

### **Eicon Technology Corporation**

Tel.: (514) 745-5500  
Fax: (514) 745-5588

### **In the United States, Canada, Latin America:**

Tel.: 1-800-80-EICON  
(214) 239-3270  
Fax: (214) 239-3304

### **In Europe, Middle East, Africa:**

Tel.: (44) 181 967-8000  
Fax: (44) 181 967-8050

### **In Australia, New Zealand, Asia:**

Tel.: (61) 2 9919-7200  
Fax: (61) 2 9929-6300

### **Internet:**

North America: sales@eicon.com  
Europe: sales.europe@eicon.com  
Asia Pacific:  
sales.asiapac@eicon.com  
Worldwide Web:  
<http://www.eicon.com/>

